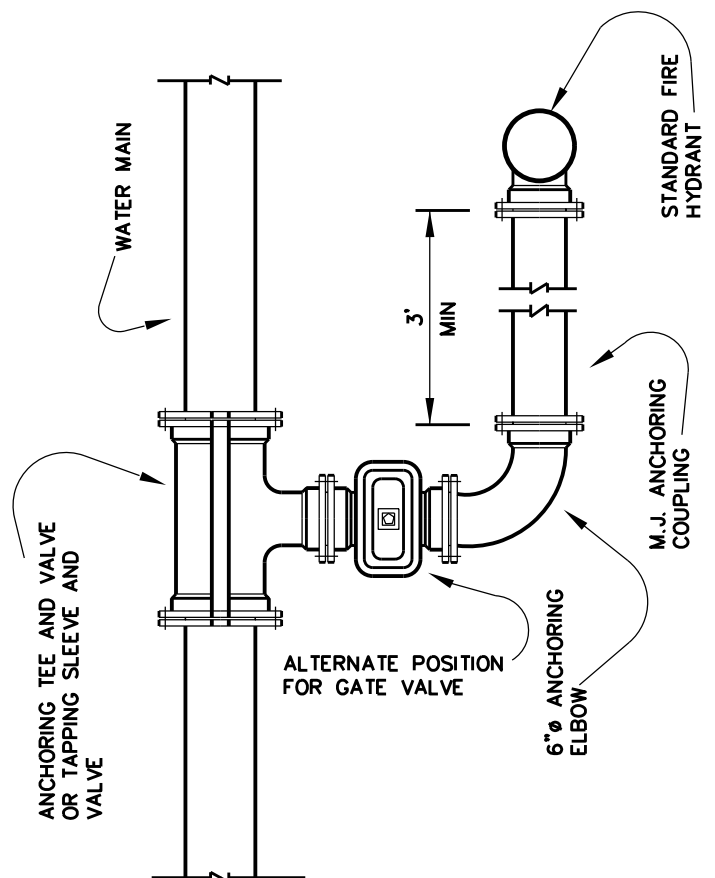


STANDARD INSTALLATION



ALTERNATE INSTALLATION

1
4

Revision Date: 07/21/06

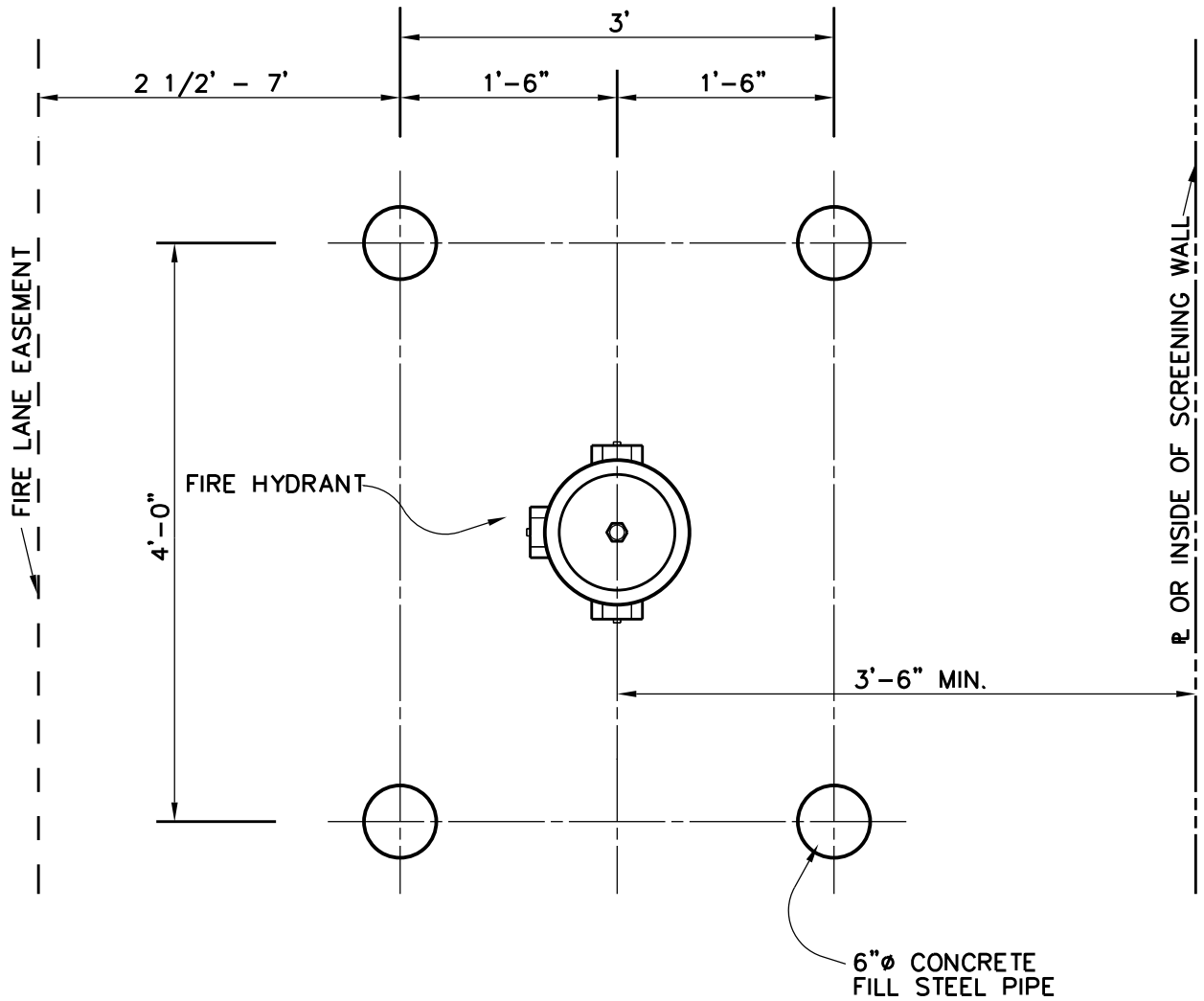
Scale : N/A Date : 06/01/05
 Design :
 Drawn : JMK
 Dwg. File : FIR_002.DWG
 Project No. : STANDARD-DETAILS


GARLAND
 ENGINEERING
 STANDARD DETAILS

TYPICAL FIRE HYDRANT
 INSTALLATION

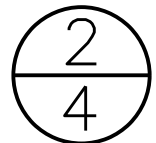
PAGE
2

6"Ø STEEL PIPE W/CONCRETE FILL
 6' LENGTH (3' ABOVE PAVING, 3' BELOW
 PAVING) TO BE CASED IN 16"Ø PIER TO
 DEPTH OF 1'-0". BELOW BOTTOM OF
 PIPE USE 2-#6x12" THRU PIPE INTO
 CONCRETE PIER. PIPES TO BE PAINTED RED.



NOTE:
 FOR USE ONLY WHERE CURBS
 ARE NOT POSSIBLE.

FIRE HYDRANT BOLLARD DETAIL
 NTS

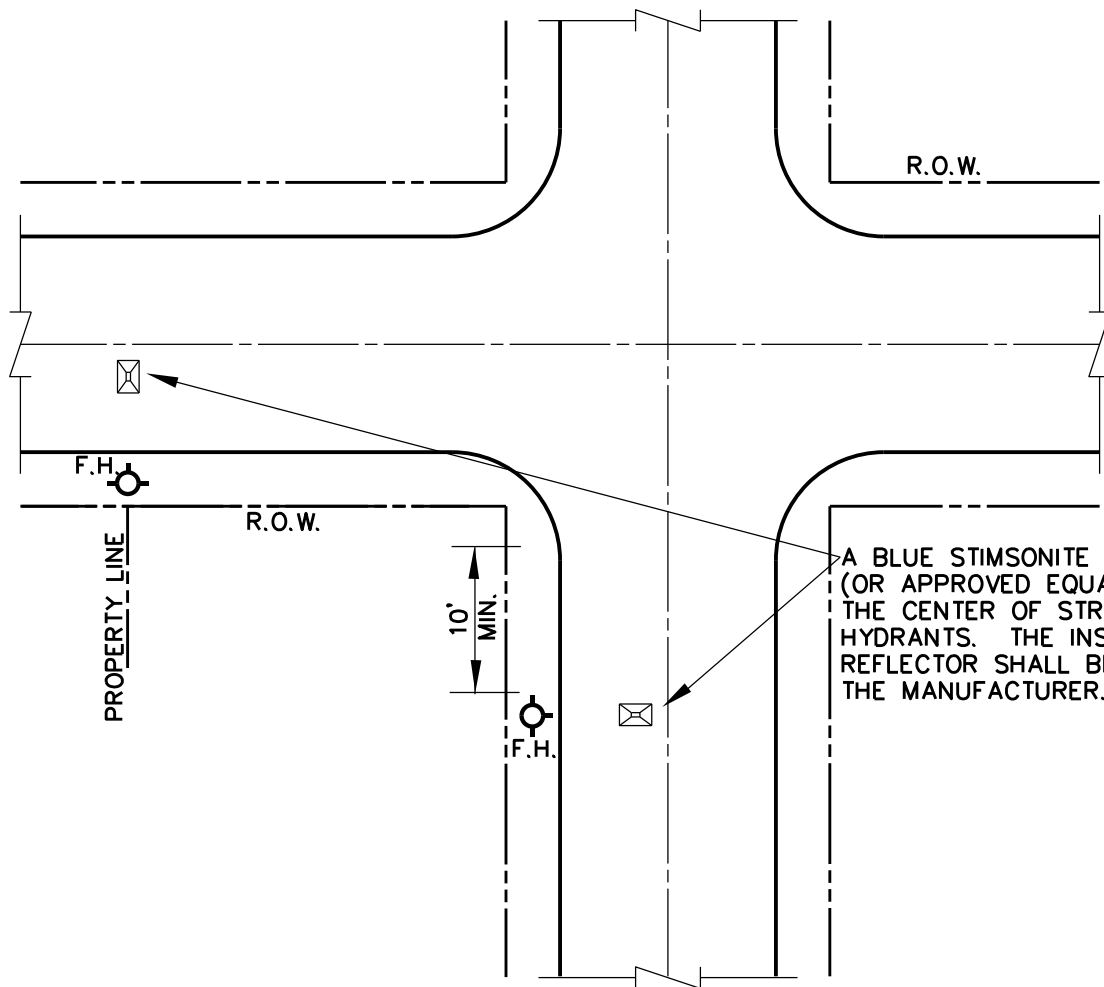


Revision Date:

Scale : N/A	Date : 06/01/05
Design :	
Drawn : JMK	
Dwg. File : FIR_003.DWG	
Project No. : STANDARD-DETAILS	



**FIRE HYDRANT BOLLARD
 INSTALLATION**



NOTE:

1. DO NOT PLACE FIRE HYDRANT WITHIN CURB RADIUS RETURN.
2. WHERE FIRE HYDRANT IS TO BE LOCATED BETWEEN STREET INTERSECTIONS FIRE HYDRANTS SHALL BE PLACED AT A PROPERTY INTERSECTION (EXTENDED).

TYPICAL FIRE HYDRANT REFLECTOR INSTALLATION

NTS

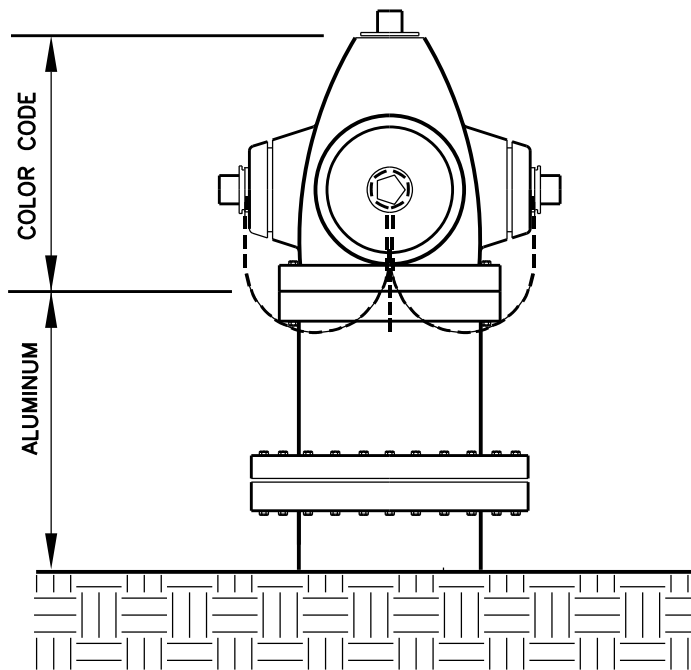
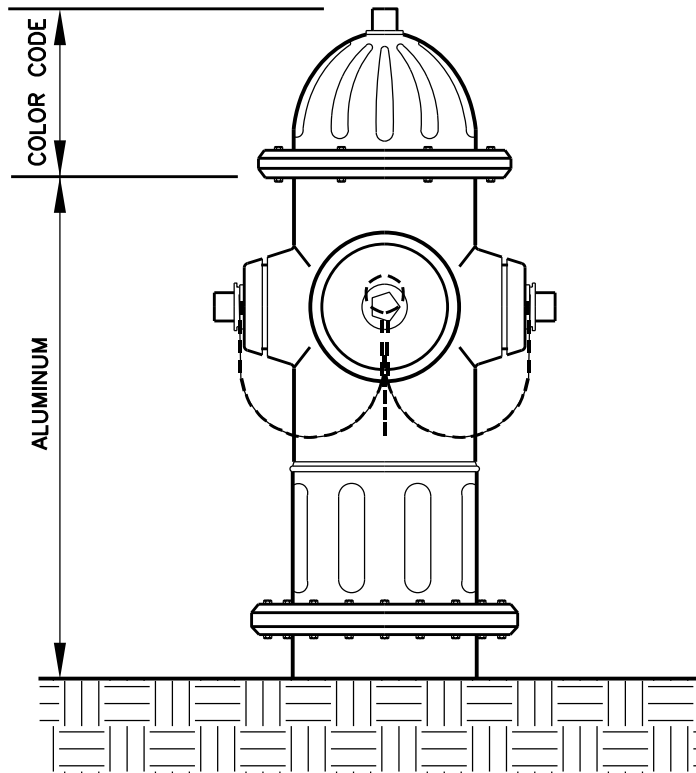
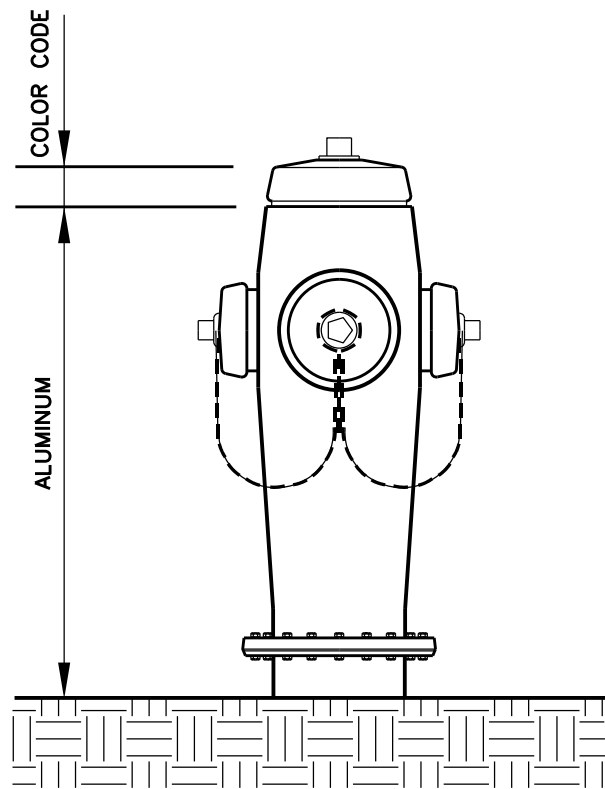
3
4

Revision Date: _____

Scale : N/A Date : 06/01/05
 Design : _____
 Drawn : JMK
 Dwg. File : FIR_004.DWG
 Project No. : STANDARD-DETAILS



**FIRE HYDRANT
REFLECTOR INSTALLATION**

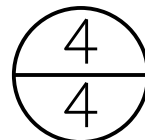


COLOR CODE

6" MAINS
FLYNT ALUMINUM PAINT

8" WATER MAINS
FLYNT TROPIC BLUE ENAMEL
2543

10" MAIN OR LARGER
FLYNT SAFETY YELLOW ENAMEL
FE95102



Revision Date: 03/28/19

Scale : N/A Date : 06/01/05
 Design :
 Drawn : JMK
 Dwg. File : FIR_005.DWG
 Project No. : STANDARD-DETAILS



**FIRE HYDRANT
PAINTING DETAILS**

PAGE

5